



MODEL: **AJ-B-3DJ18L**

AQUAJET

manufactured by **MECHLINE**

AquaJet Deck mounted 1/2-inch twin mixer with lever controls and 450mm double jointed spout



Manufacturer: Mechline Developments Limited.

Brand: AquaJet.

Model Range: AquaJet 30.

Spout: 450mm double jointed spout.

Mount: Deck mounted.

Hole: Twin Hole.

Water Feed: Twin Water Feed.

Control(s): Lever.

Accreditation: WRAS.

FEATURES & BENEFITS

- Comprehensive range of taps manufactured to meet the rigours of commercial catering.
- Easy lever operation.
- Selection of spout options to suit most applications.

TECHNICAL INFORMATION

Connection(s): 1/2-inch.

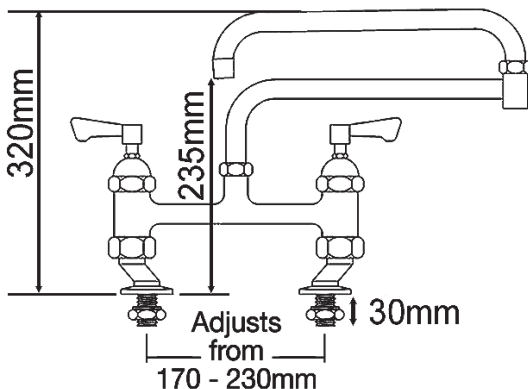
Worktop hole: 25mm.

Recommended working pressure: 1.5 - 5 bar.

Flow rates: 6.09 lpm tested at 3 bar pressure.

MAINTENANCE & CLEANING

Cleaning chrome: Do not use abrasive, chlorine or acid-based cleaning products. Avoid contact with concentrated bleach. Clean with soapy water using a cloth or sponge.



Dimensions are in millimeters. If a CAD file is required please visit www.mechline.com.



MECHLINE DEVELOPMENTS LIMITED

Tel: +44 (0)1908 261511 | Email: info@mechline.com | Web: www.mechline.com